

Gage-head LVDT position transducer



Sensitivity, $\pm 10\%$, 24°C	200 mV/V/mm
Measuring range(mm)	± 2.5
Nonlinearity(@50% Stroke).....	<0.15% Max.
Nonlinearity(@100% Stroke).....	<0.25% Max.
Repeatability.....	<0.1 μm

Electrical

Power excitation(@2.5KHz)	3 Vrms
Output Impedance.....	<100 Ω
Insulation resistance(@500Vdc).....	>10 M Ω
Null voltage.....	<0.1% FSO
Output at stroke ends.....	500 mV/V

Environmental

Temperature range.....	-55 to 125°C
Operation humidity.....	<85% R.H
Shock limit.....	1,000 g peak
IEC 60529 rating.....	IP65

Physical

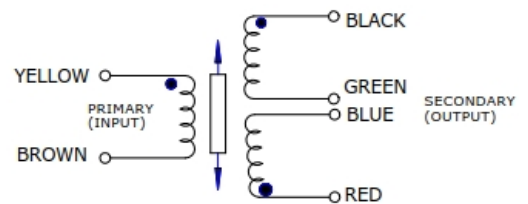
Sensing element.....	LVDT
Output cable(6x28# AWG).....	PFA Insulation
Case material.....	Stainless steel

Accessories

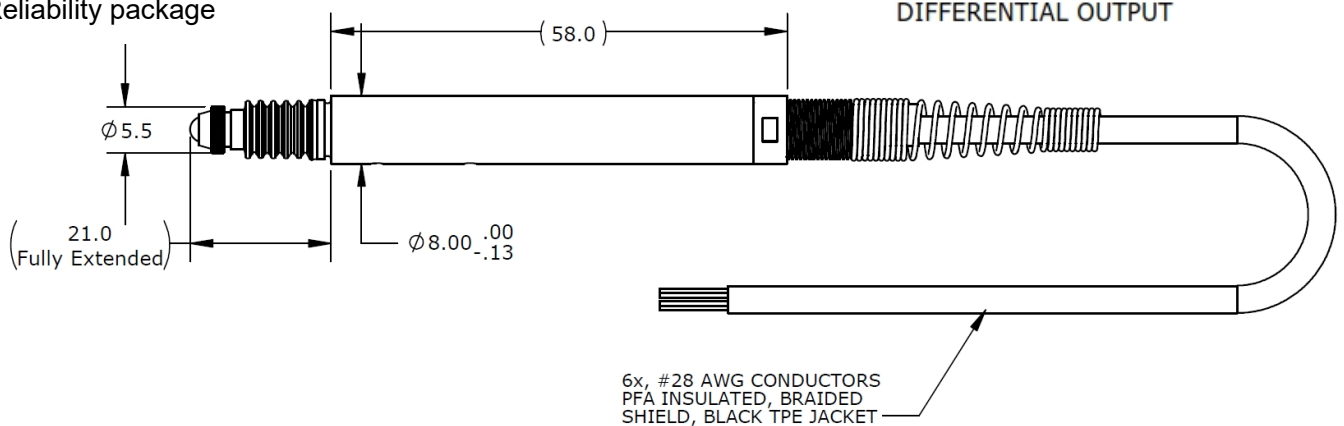
Calibration certificate

Features

- Gage head design
- High Resolution
- Shock resistant
- Compact size
- Light weight
- Reliability package



WIRING SHECMATIC
CONNECT GRN&BLU FOR DIFFERENTIAL OUTPUT



Ordering Information

