

## Dynamic response inclinometer



### Features

- Dynamic response
- Variable bandwidth
- Low supply current
- High Resolution
- Wide measuring range
- Wide supply voltage range
- Harsh environment

Measuring range .....	$\pm 5^\circ$ 、 $\pm 10^\circ$ 、 $\pm 15^\circ$ 、 $\pm 30^\circ$ 、 $\pm 45^\circ$
Measurement accuracy(-10~40 °C):.....	$\pm 0.5^\circ$
Cross axial error.....	$\pm 0.2\%$
Refresh rate(Default).....	26Hz
Refresh rate(Max.).....	50Hz
Non-linearity.....	$\pm 1\%$
Dynamic range.....	$\pm 250\text{dps}$
Resolution.....	0.1°
Repeatability.....	$\pm 0.3^\circ$
Bandwidth(1, 3, 5Hz by option).....	<0.5Hz

### Electrical

Power requirement.....	9 - 36 VDC
Voltage SFO.....	0.5 – 4.5 V
Startup time .....	< 0.3s

### Environmental

Temperature range.....	-40 to 85°C
Thermal zero shift(max. ref.24°C).....	0.01°/°C
EMC.....	EN61000/GBT17626
Shock limit.....	Up to 1000g
Insolation.....	$\geq 100\text{M ohms}$
MTBF.....	10 years

### Physical

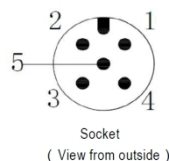
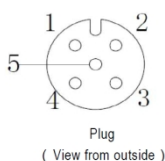
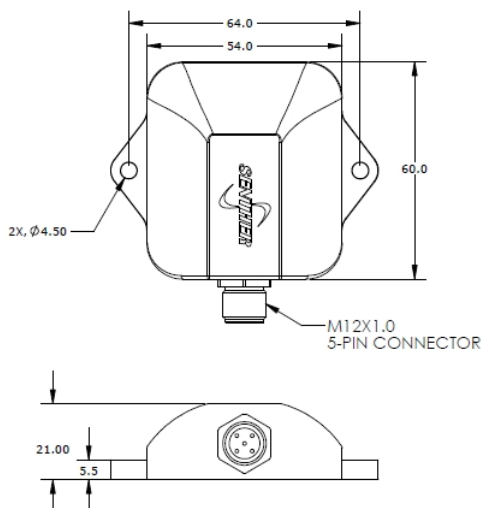
Protection.....	IP65
Weight(W/O cable).....	<200 grams
Case material.....	PA66+GF Black
Mounting.....	M4 Screws
Output Connector.....	M12_5-Pin socket

### Accessories

Calibration certificate  
M4X10mm screw

### Output type(Refer below table)

ITEM	OUTPUT INTERFACE CODE X	
	C	E
CONNECTOR PIN 1	POWER+	POWER+
CONNECTOR PIN 2	POWER GND	POWER GND
CONNECTOR PIN 3	CAN-H	Vx
CONNECTOR PIN 4	CAN-L	Vy
CONNECTOR PIN 5	SIGNAL GND	SIGNAL GND
COMMUNICATION PROTOCOL	CUSTOM	/



### Ordering Information

